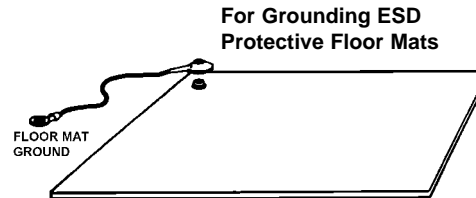


Key:

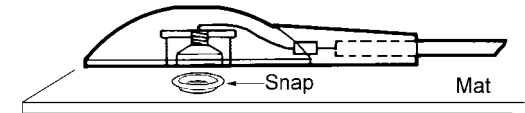
- A. 10mm male snap to ground floor mats.
- B. Moulded in black thermoplastic elastomer.
- C. High flex strand copper, 20 gauge, with PVC insulated jacket. OD = 2.7mm
- D. Ring terminal, 5mm ID, (#10) on 60474. 10mm socket on 60488.
- E. Extra ring terminal provided for customizing cord length on 60474.
- F. One megohm resistor between the snap and ground.
- G. Brass crimp secures conductors and provides stress relief.
- H. Charleswater Europe logo moulded onto cap on top of shroud.
- I. Date coded to show month and year of manufacture.
- J. 6-32 x 6.35mm flat head screw and washer allow floor mat ground to be bolted to mat.

ITEM	DESCRIPTION
60474	10mm stud, 1 megohm resistor, 4.5m wire, ring terminal
60488	10mm stud, 1 megohm resistor, 4.5m wire, 10mm socket

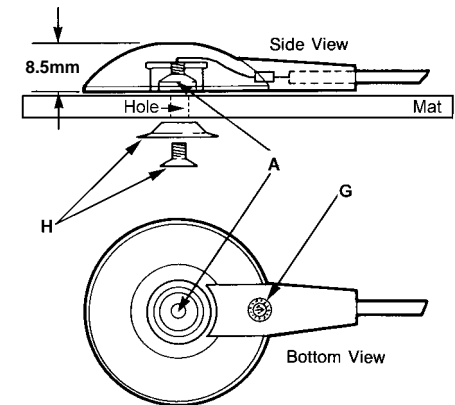


Installation Procedure Options

1. Using existing snap on mat.
 - A. Remove screw from ground cord.
 - B. Attach ground cord to 10mm snap socket on mat.



2. Permanent securing of ground cord with washer and screw supplied.
 - A. Remove screw from ground cord.
 - B. Punch hole through mat using 9.5mm diameter hole punch.
 - C. Use supplied counter sunk washer and screw to secure ground cord to mat.



GROUND CORD, FLOOR MAT, THREADED 10mm SNAP STUD

CONDUCTIVE PRODUCTS LTD.
 UNIT 17. MILLBROOK BUSINESS PARK, SYBRON WAY
 CROWBOROUGH, EAST SUSSEX TN6 3JZ UNITED KINGDOM
 PHONE: 00 44 (0) 1892-665313, FAX: 00 44 (0) 1892-668838
 INTERNET: www.charleswater.co.uk

Drawing Number
60474.E

DATE:
06/01